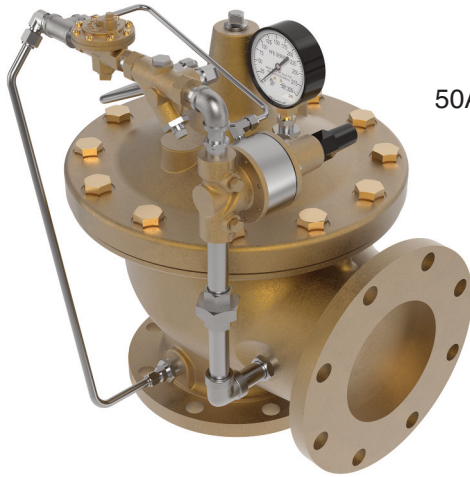




— MODEL — **50-20**

Seawater Service Pressure Relief Valve



50A-20 (Angle)

- **Fast Opening to Maintain Steady Line Pressure**
- **Accommodates Wide Range of Flow Rates**
- **Closes Gradually for Surge-Free Operation**
- **Adjustable Pressure Settings, Not Affected by Pressure At Valve Discharge**

The Cla-Val Model 50-20 Seawater Service Pressure Relief Valve is designed specifically to automatically relieve excess pressure in fire protection pumping systems. Pilot controlled, it maintains constant system pressure at the pump discharge within very close limits as demands change.

Schematic Diagram

Item Description

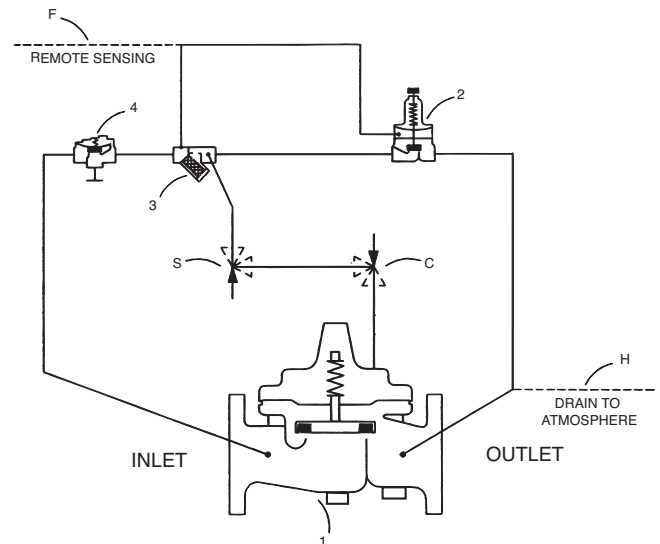
- | | |
|---|------------------------------|
| 1 | 100S/2100S Hytrol Main Valve |
| 2 | CRL Pressure Relief Control |
| 3 | X44A Strainer & Orifice Assy |
| 4 | 81-01 Check Valve |

Optional Features

Item Description

- | | |
|---|---------------------------|
| B | CK2 Isolation Valves |
| C | CV Flow Control (Closing) |
| F | Remote Pilot Sensing |
| H | Drain to Atmosphere |
| S | CV Flow Control (Opening) |

Please note that if the Model 50-20 is to be used on a continuous duty basis to maintain fire-system pressure, suitable back pressure must be provided on the valve to prevent cavitation damage. Consult the factory for details.



Specification

Sizes: Threaded Ends: 1 1/2" - 3"
 Globe Flanged: 2" - 36"
 Angle Flanged: 2" - 16"

End Details: Cast Steel ANSI B16.5
 Bronze ANSI B16.24
 Stainless Steel ANSI B16.5
 Ductile Iron ANSI B16.42

Pressure 150 Class 250 psi Max.
Ratings: 300 Class 400 psi Max.

Temperature

Range: Water 180°F Max.

Materials: **Main valve body & cover**
 Ductile Iron ASTM A-536*
 Cast Steel ASTM A216-WCB*
 Naval Bronze ASTM B61
 Stainless Steel ASTM A743-CF-8M
 Ni. AL. Bronze ASTM B148
 Super Duplex SST

Main valve trim:

ASTM B61 Bronze Seat,
 Monel Trim

Pilot control system:

Cast Bronze with Monel Trim
 Monel, Super Duplex Stainless Steel optional
 Stainless Steel 316 Tubing & Fittings

Adjustment 20 - 200 psi (150 class)
Ranges: 100 - 300 psi (300 class)

*The 50G-20 (globe) and 50A-20 (angle) in cast steel are supplied with standard internal and external epoxy coating

