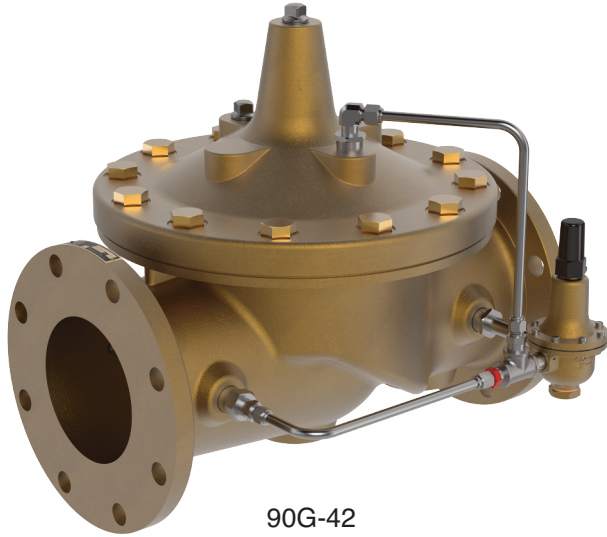




— MODEL — **90-42**

Seawater Service Pressure Reducing Valve



90G-42
Globe Pattern

- Globe or Angle Pattern
- Proven Reliable Design
- Available in Cast Bronze, Iron and Steel
- Accurate Pressure Control
- In Line Service

Cla-Val 90G-42 (globe) and 90A-42 (angle) Pressure Reducing Valves are indispensable in any fire protection system. Our diaphragm actuated design is proven highly reliable and easy to maintain. We offer both a globe or angle pattern with a full range of adjustments. These valves are available in cast bronze, iron or steel and all special alloys. Epoxy coating for all system valves are supplied with internal and external epoxy coating of the main valve wetted surfaces, for ductile iron and cast steel only.



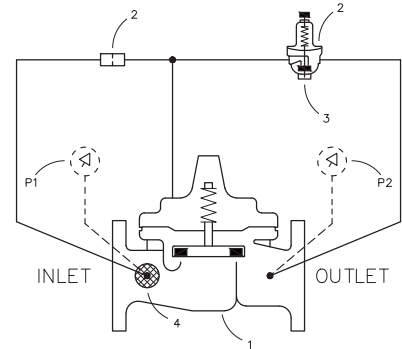
If UL Listed is required for Model 90-42 Seawater Service use Model 90-21KX when ordering. UL Listed sizes limited to 1 1/2" - 8" sizes.

Function

Cla-Val Model 90G-42 (globe) and 90A-42 (angle) Seawater Service Pressure Reducing Valves automatically reduce a higher inlet pressure to a steady lower outlet pressure regardless of changing flow rate and/or varying inlet pressure. The valves pilot control system is very sensitive to slight downstream pressure fluctuations, and will automatically open or close to maintain the desired pressure setting. The downstream pressure can be set over a wide range by turning the adjustment screw on the CRD pilot control. The adjustment screw is protected by a screw-on cover, which can be sealed to discourage tampering.

Schematic Diagram

Item	Description
1	Model 100S/2100S Hytrol (Globe or Angle)
2	X58C Restriction Tube Fitting
3	CRD Pressure Reducing Control
4	X46A Flow Clean Strainer



Sizes: Threaded Ends: 1" - 3"
Globe Flanged: 2" - 36"
Angle Flanged: 2" - 16"

End Details: Cast Steel ANSI B16.5
Bronze ANSI B16.24
Stainless Steel ANSI B16.5
Ductile Iron ANSI B16.42

Pressure Ratings: 150 Class 250 psi Max.
300 Class 400 psi Max.

Temperature Range: Water 180°F Max.

Materials: **Main valve body & cover**
Ductile Iron ASTM A-536*
Cast Steel ASTM A216-WCB*
Naval Bronze ASTM B61
Stainless Steel ASTM A743-CF-8M
Ni. AL. Bronze ASTM B148
Super Duplex SST
Monel QQ-N-281 Class B
Main valve trim:
ASTM B61 Bronze Seat,
Monel Trim

Pilot control system:

Cast Bronze with Monel Trim
Monel, Super Duplex Stainless Steel optional
Stainless Steel 316 Tubing & Fittings

Adjustment Ranges: 15 - 75 psi
30 - 300 psi

Main Valve and pilot valve diaphragm and disc:
Burna-N® synthetic rubber

*The 90G-42 (globe) and 90A-42 (angle) in cast steel are supplied with standard internal and external epoxy coating

